

ISLAND HOODS

IS502

A stunning combination of glass and stainless steel

Quiet, efficient internal blower with HVI certified performance (see p. 52)

Stainless steel/aluminum mesh filter is dishwasher safe

Brilliant halogen lighting with high and low settings

Four speed, electronic push-button control

10 minute time-delay shut-off feature and reminder light for filter maintenance

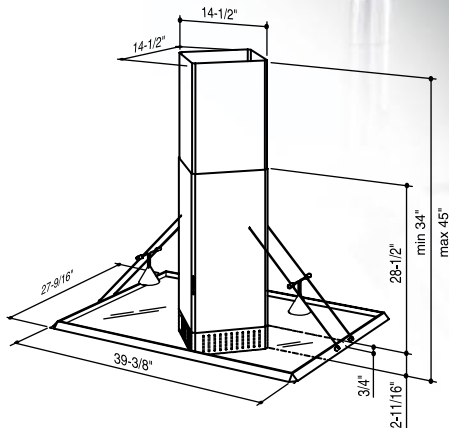
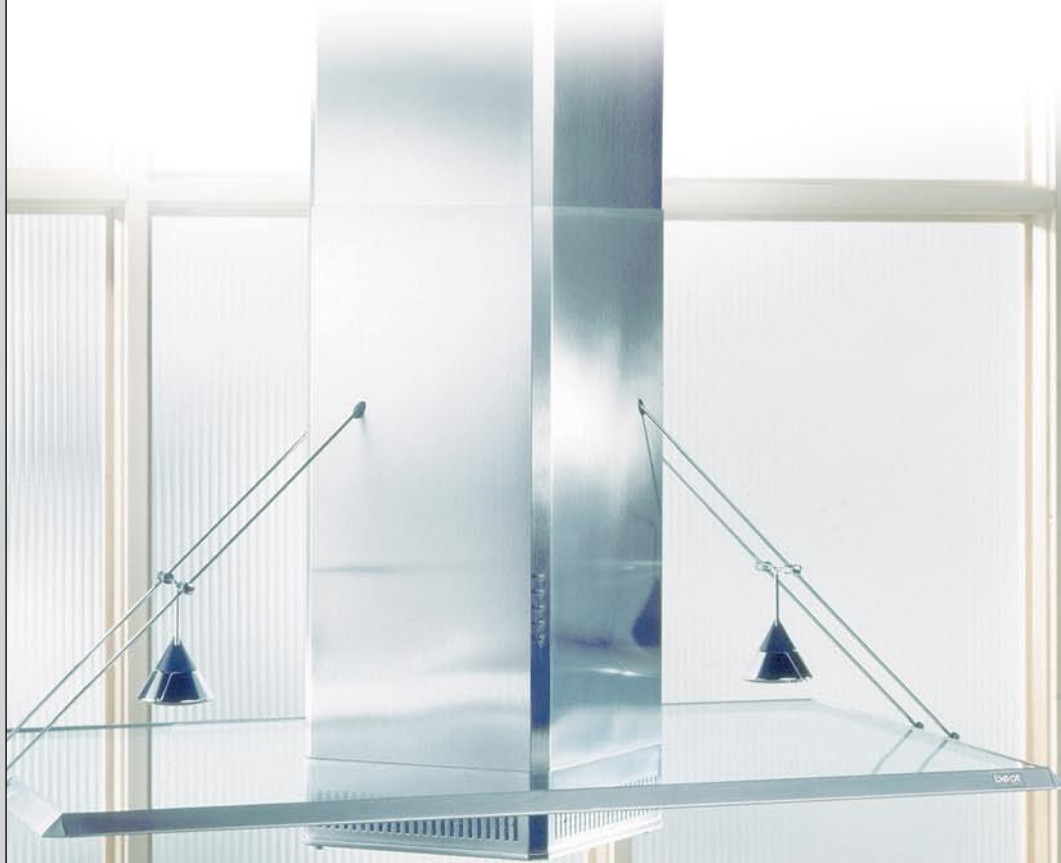
Heat Sentry™ is a smart feature that detects excessive heat and adjusts speed to high automatically

Telescopic flue for 8' to 9' ceilings – Custom extensions available (see p. 50)



Two 20-watt halogen lamps illuminate the cooking surface beautifully.

Is it sculpture? Is it art? Is it really a range hood? The simple answer is 'yes' to all of the above. One thing is certain — it will be admired.



| Model | Dimensions | Blower | CFM | Finish |
|-------|---------------------------------|--------|-----|-----------------------|
| IS502 | 39-3/8" width 27-9/16" depth | INT. ■ | 450 | 304 Brushed Stainless |

■ Blower included.

For installation guidelines and product details see pages 54 – 58.